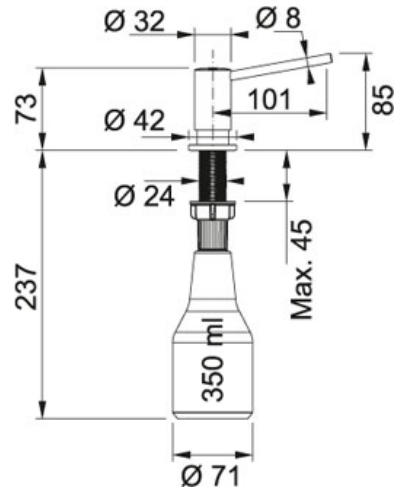


STEEL Stainless Steel | 119.0307.938

FAMILY : Sink Accessories | SERIES : STEEL | FINISH : Stainless Steel | INSTALLATION TYPE : Sink/Worktop | STYLE : Contemporary | MODEL : Soap dispenser



TECHNICAL DATA

Remarks FKS	Require 1 1/8" Hole
Version	Soap Dispenser